



SEASTAR™ BAYSTAR™

HELM SERVICE KIT PART # HP6032

NOTICE

This kit will NOT work with helm pumps;

HH5279-3 HH5279
HH5281-3 HH5280, HH5281
HH5282, HH5283

HH5217-3 HH5217
HH5218-3 HH5218
HH5224-3 HH5224
HH5225-3 HH5225

HH4015, HH4016

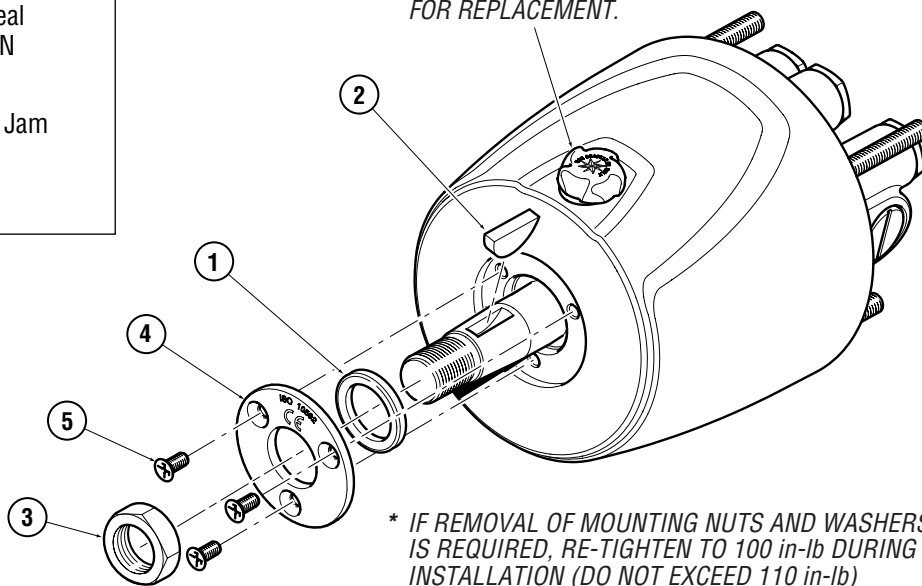
This helm service kit is for use with ALL BayStar and SeaStar helms (See Notice below for exceptions).

1. Remove Steering Wheel.
2. Remove Woodruff Key (item 2).
3. Loosen and remove the three Phillips head screws (item A).
NOTE: Item A is not included in kit, do not misplace.
4. Remove Top Plate (item 4).
5. Remove old Quad Ring Seal from helm face.
6. Lightly lubricate new Quad Ring Seal (item 1).
7. Place new Quad Ring Seal (Item 1) into position.
NOTE: Ensure Quad Ring Seal is fully seated into the groove.
8. Install Top Plate (item 4). **NOTE:** Ensure CE mark is placed at top dead center (UP).
9. Install three Phillips head screws (item 5), torque to 6–9 in-lb.
10. Using a good quality marine grease, lubricate steering shaft.
11. Install Steering Wheel and torque Wheel Shaft Nut (item 3) to 150 in-lb. **NOTE:** DO NOT exceed 200 in-lb.
12. Fill and purge system free of air.

ITEM NO.	QTY. (in Kit)	DESCRIPTION
1	1	Quad Ring Seal .210 70DUR N
2	1	Key
3	1	Nut, 5/8" NF, Jam
4	1	Top Plate
5	3	Screws

NOTICE

**NOT AVAILABLE IN KIT,
ORDER PART# HA5431
FOR REPLACEMENT.**



*** IF REMOVAL OF MOUNTING NUTS AND WASHERS IS REQUIRED, RE-TIGHTEN TO 100 in-lb DURING INSTALLATION (DO NOT EXCEED 110 in-lb)**

Figure A. SeaStar Front Mount Helm shown.